

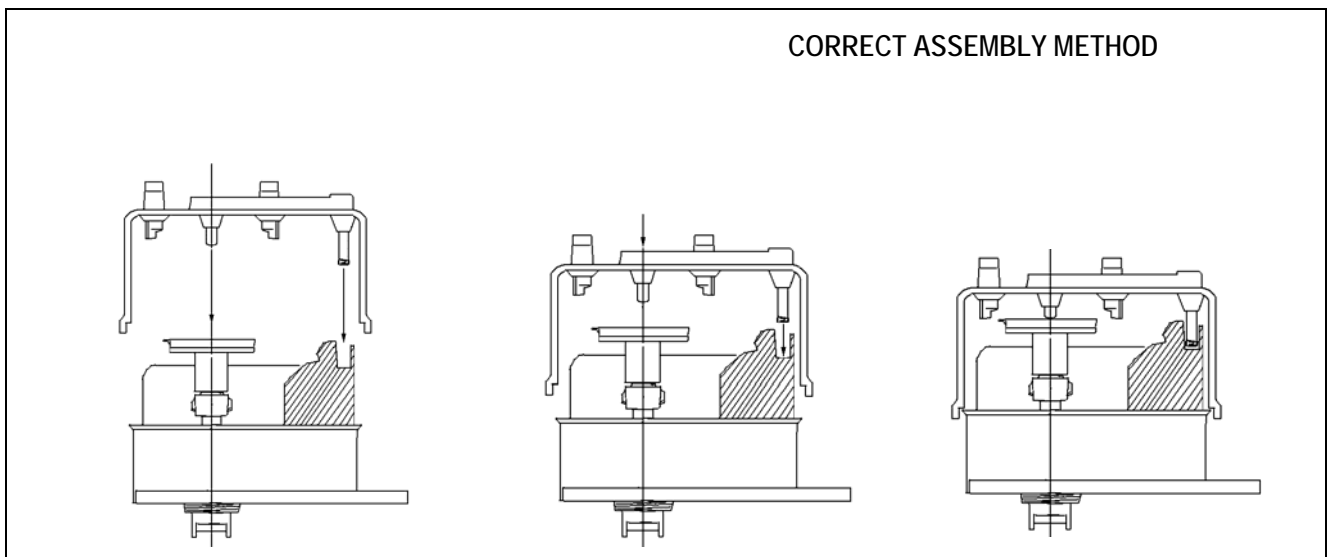
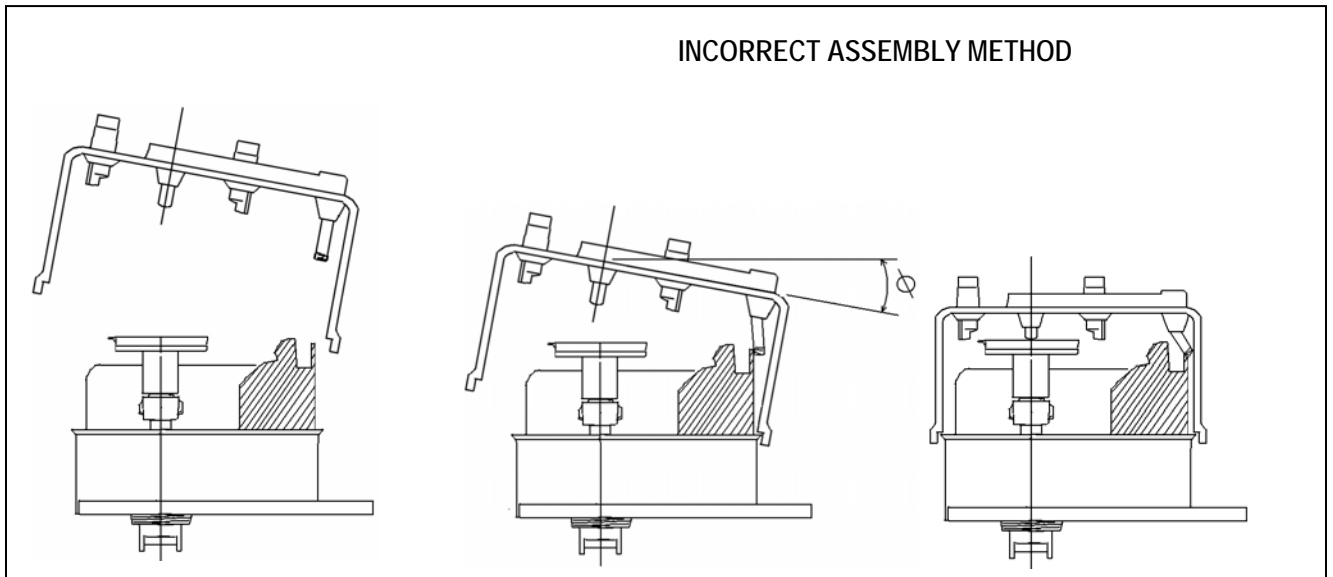
## **INSTALLATION INSTRUCTIONS**

Failure to follow these instructions can severely shorten the life of this part and may void the part's warranty.

### **Installation Process**

The coil terminal found inside the distributor cap .Must be aligned **first** for correct installation.

If the coil terminal is not seated squarely & securely within the coil tower, a potential dielectric short may occur which could extensively damage the cap, rotor, coil and igniter unit.



Models Covered:

4962