

## INSTALLATION INSTRUCTIONS

Failure to follow these instructions can severely shorten the life of this part and may void the part's warranty.

### Installation Process

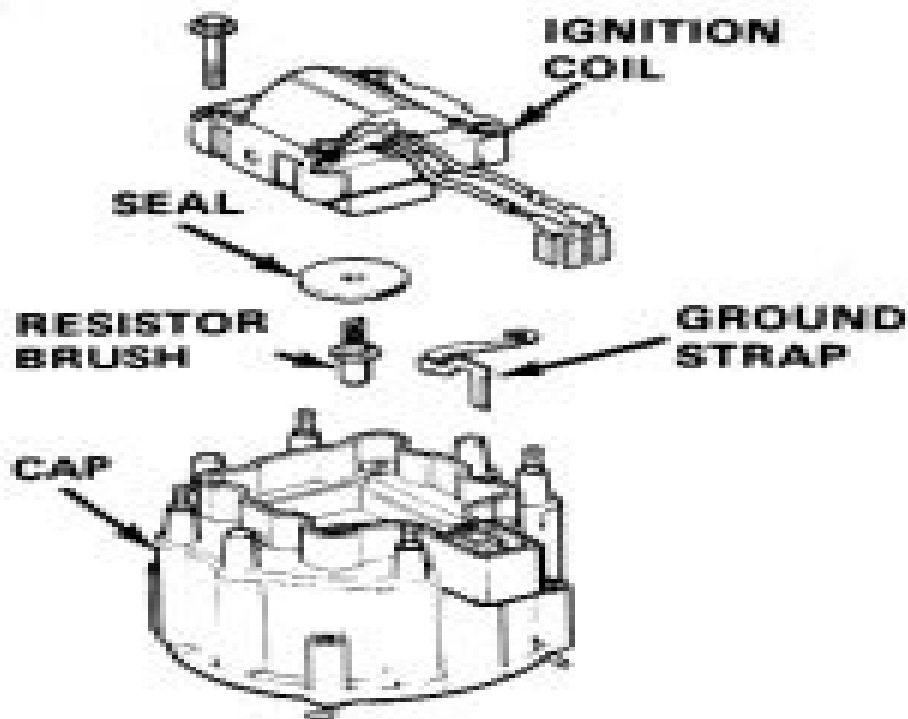
#### **NOTICE**

**HEI coils** require a ground strap during installation. Without a ground strap, the lamination itself becomes a high-voltage source and arcing will occur between the lamination and the primary leads causing damage to the coil and possibly to the module.

Either the original or new ground strap if supplied must always be installed when the coil is installed.

When installing coil, always use the old screws with the old coil or new screws from the hardware bag included with new coil. If the screws are too long, the screw tips may break through the distributor cap, causing it to fail. The rotor will arc to the grounded mounting screws

Be mindful to form the primary leads when replacing coil so they don't contact the laminations, get pinched between the laminations and/or get pinched when coil cover is installed.



#### Models Covered:

4212	2-4212	
4214		
4215	2-4215	
5193	2-5193	3-5193
4216	2-4216	
4219		
4223		
5194	2-5194	