

INSTALLATION INSTRUCTIONS

Failure to follow these instructions can severely shorten the life of this part and may void the part's warranty.

Installation Process

DO NOT USE THIS STARTER SOLENOID WITH ENGINE CONTROL COMPUTER

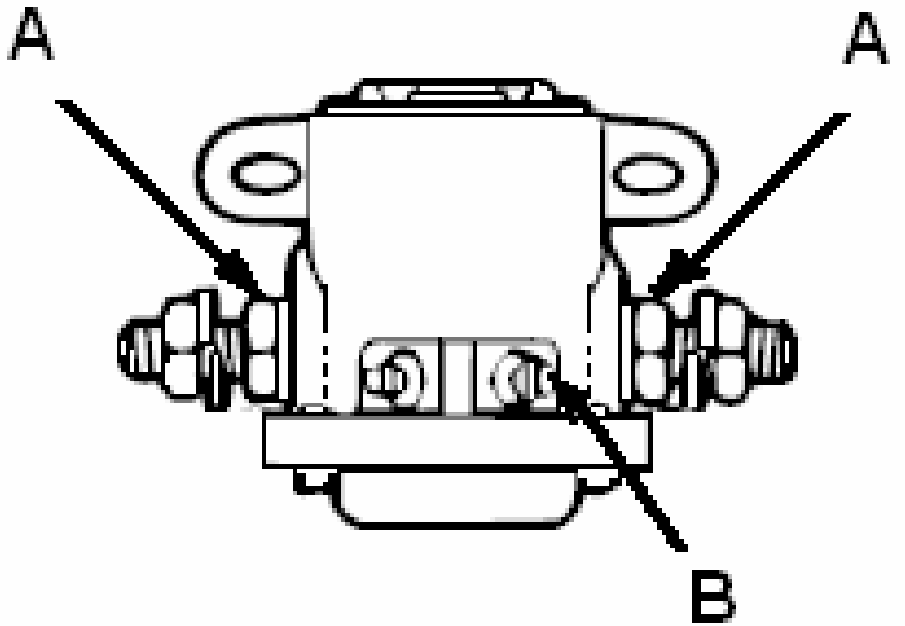
Damage Precaution:

This Solenoid DOES NOT use suppression diodes.

Use of this Solenoid on vehicles with Engine Control

Computers will result in permanent damage to the Computer/Processor.

1. Prevent nuts (A) from rotating during installation of cables.
2. For three wire installations, do not use "B" terminal.



Models Covered:

SS3
SS5