

INSTALLATION INSTRUCTIONS

Failure to follow these instructions can severely shorten the life of this part and may void the part's warranty.

Installation Process

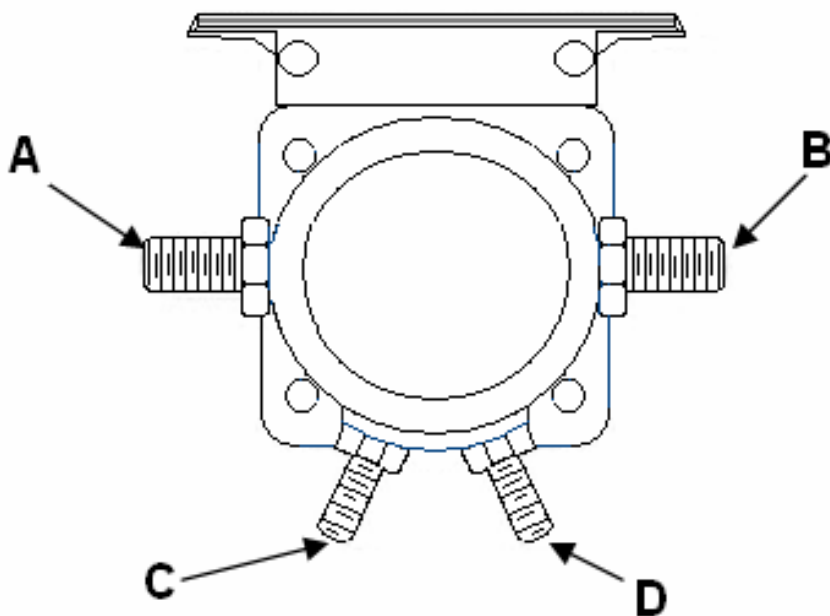
Dual Battery Starter Solenoid Installation Instructions

"A" - 10 gage cable to + terminal on Main battery

"B" - 10 gage cable to + terminal on Aux. battery

"C" - 16 gage wire to Ground

"D" - 16 gage wire to "Accessory" post on Ignition Switch



Models Covered:
SS7